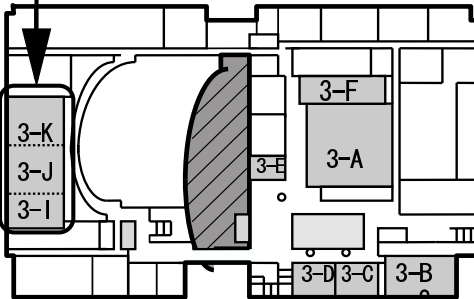


Kyoto TERRSA Floor Map

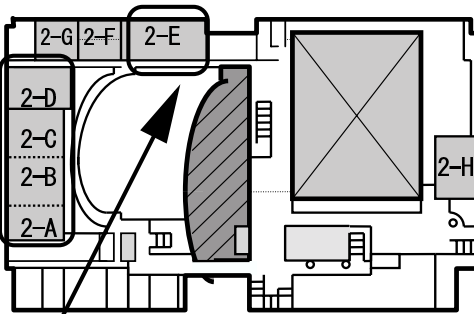
LAN

- 3F(East Building)**
- 3-I.J.K. Conference Room (Large)
 - 3-I. Conference Room A
 - 3-J. Conference Room B
 - 3-K. Conference Room C



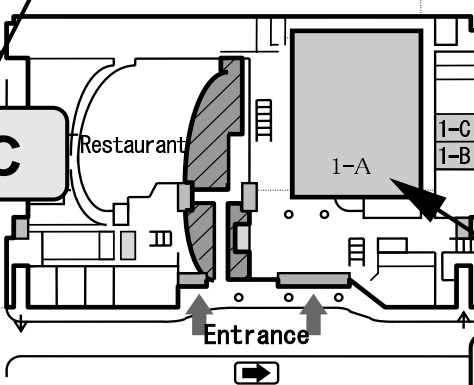
- 3F(West Building)**
- 3-A.Conference Room No.1
 - 3-B.Conference Room No.2
 - 3-C.Conference Room No.3
 - 3-D.Conference Room No.4
 - 3-E.Conference Room No.5
 - 3-F.Cultural Activities Room No.1

- 2F(East Building)**
- 2-A.B.C.Seminar Room
 - 2-A.Seminar room No.1
 - 2-B.Seminar room No.2
 - 2-C.Seminar room No.3
 - 2-D. Conference Room (Middle)
 - 2-E.A V Study Room
 - 2-F.Japanese Room
- Poster**



- 2F(West Building)**
- 2-H.Rehearsal Room

- 1F(East Building)**
- Restaurant "SUZAKU"
- LOC**



- 1F(West Building)**
- 1-A.TERRSA Hall
 - 1-B.Waiting Room No.1
 - 1-C.Waiting Room No.2 (Japanese Type)
- Main Hall**

